



RPS-450

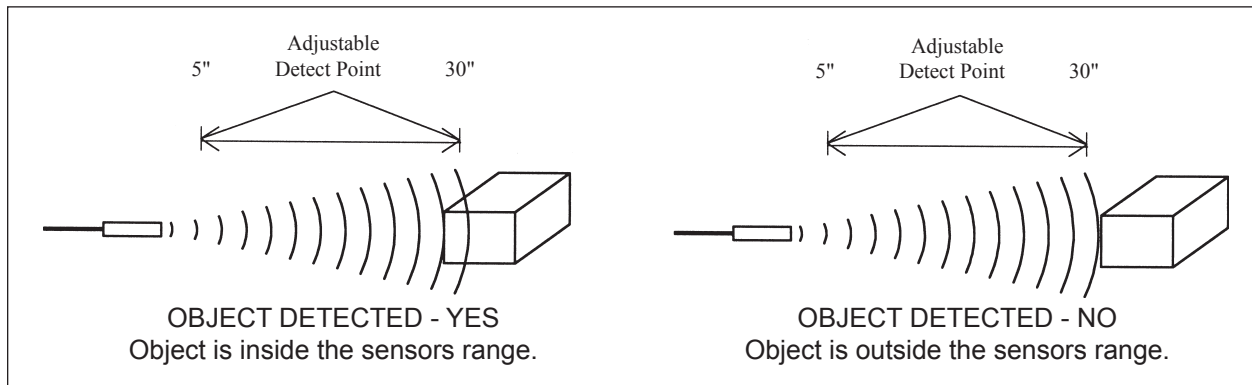
Features

- Self Contained
- Operates in Hostile Environments
- Range 5 - 30" or 10 - 72"
- Operating Voltage 120VAC (60 Hz)
- Narrow Sensing Beam
- N.O. N.C. Solid State Relay Outputs
- High Frequency
- Plastic Housing
- LED Indicator
- Potentiometer For Setup

The RPS-450 is a self-contained, 120VAC powered, ultrasonic proximity sensor in a 30mm barrel housing. The sensor is range or distance sensitive, which enables the sensor to detect objects only within the desired range and reject objects outside the desired range. The RPS-450 product line features solid state construction including the solid state relay outputs. The sensor operates in the ultrasonic spectrum and is therefore not heard. For initial setup purposes, a built in potentiometer and LED indicator are provided.



The LED indicator illuminates when the ultrasonic wave from the sensor is reflected back to the sensor within the desired range. The sensor provides precise proximity or level sensing regardless of target color, density or transparency. The sensor is equally effective on liquid, metal, plastic or glass targets.



Proximity Detection

Proximity detection is the detection of an object in a given range. The detection range of the RPS-450 is controlled by a potentiometer located on the rear of the sensor. Any object within the desired range is detected, while objects outside the desired range are ignored. The detect point is independent of size, material, or reflectivity of the object.

Specifications:

Operational Range:	RPS-450-30	Adjustable 5 - 30"
	RPS-450-72	Adjustable 10 - 72"
Power Input:	120VAC	
Input Current:	30mA	
Ambient Temperature:	0 - 60°C or 32 - 140°F	
Humidity:	0 - 95% Non-Condensing	
Transducer Housing:	PBT Plastic	
Transducer Face:	Silicone Rubber	
Output:	Zero-Crossing Detection Isolation 3750VRMS Off State Leakage 0.001A Max. Load Current 0.005 - 1A Peak Current for 1 Cycle 10A Max. Switching Voltage 120VAC	
Transducer Frequency:	RPS-450-30	212kHz
	RPS-450-72	150kHz
Response Time:	RPS-450-30	30ms
	RPS-450-72	60ms
Weight:	11 ounces	

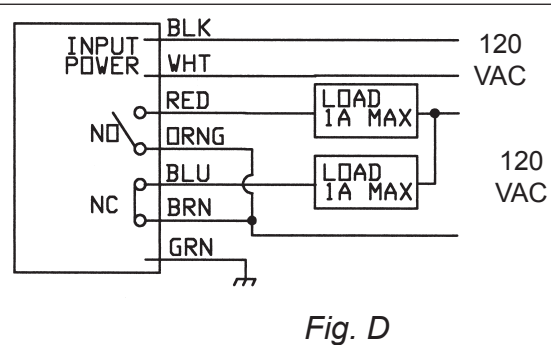
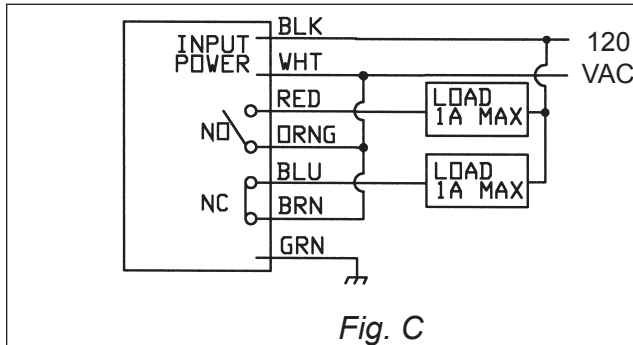
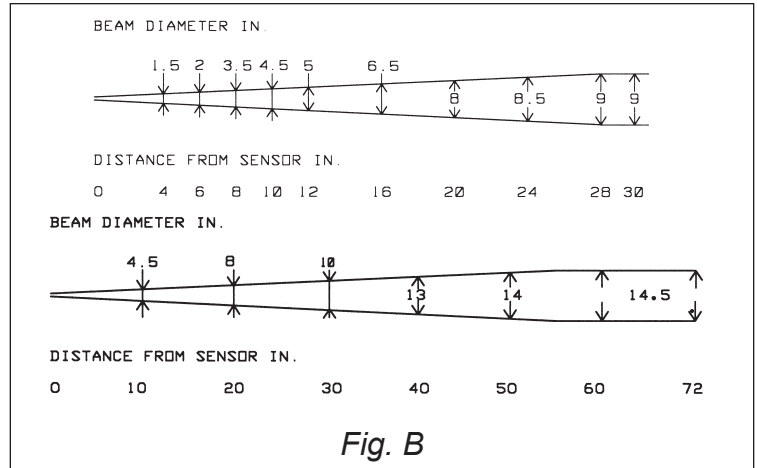
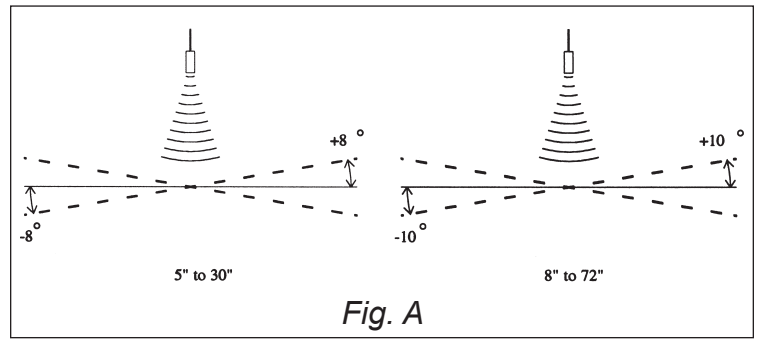
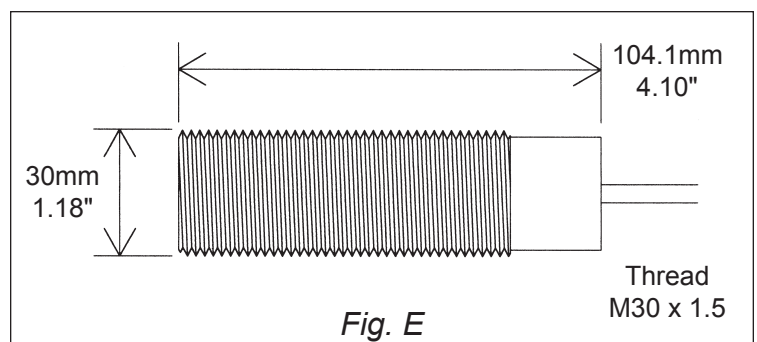


Figure:

- A - Angle of Tilt
- B - Beam Spread
- C - Wiring Diag.- Load conn. to Sensor Power
- D - Wiring Diag.- Load conn. to External Power
- E - Mounting Dimensions



PART NUMBER	RANGE	OUTPUT / DESCRIPTION
RPS-450-30	5 - 30"	Solid State Relays, N.O. & N.C.
RPS-450-72	10 - 72"	Solid State Relays, N.O. & N.C.

